



**BERTRAND
PUMA**

La griffe boulangère

Dough Sheeter Cadet C2



TABLE STANDING
DOUGH SHEETER

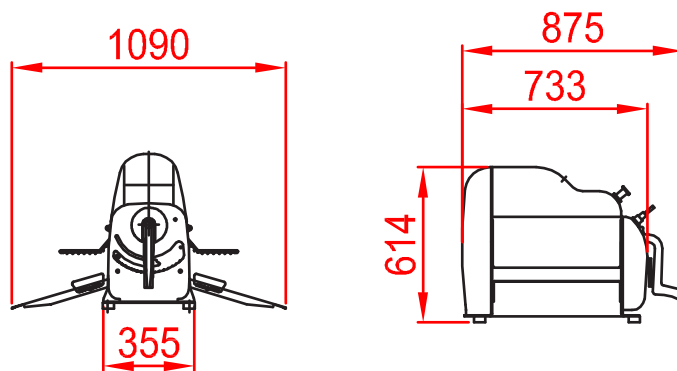


The dough sheeter CADET C2 from the Bertrand-Puma range is a table standing dough sheeter.

- + Made of steel, stainless steel and cast aluminium.
- + Rolling direction can be inverted by moving a joystick.
- + Ergonomic control.
- + Fixed stainless steel shelves.



■ TECHNICAL DATA



	CADET C2
Electrical supply	400V / TRI+T / 50-60Hz
Power (kW)	0,55
Rated current (A)	1,8
Rollers opening (mm)	0 - 38
Rollers length (mm)	500
Maximum overall width (mm)	1090
Maximum overall depth (mm)	880
Maximum overall height (mm)	614
Weight (kg)	65



BP 54 - Rue Benoît Frachon - F-26802 Portes-Les-Valence Cedex
 Phone : +33 (0)475 575 500 - contact@bertrand-puma.fr - www.bertrand-puma.fr

an Ali Group Company



The Spirit of Excellence